



深圳市兴华鑫电子科技有限公司

Shenzhen xinghuaxin Electronic Technology Co., Ltd

承認書

SPECIFICATION FOR APPROVAL

客戶 (Customer):

客戶料號 (Customer P/N):

興華鑫型號 (Supplier P/N):


XHXDZ-4330BOX-1.25-L160MM

產品名稱 (Description):

喇叭 (Speaker)

產品規格 (Specification):

8Ω

| | | | |
|--|--|---|-----|
| 客戶承認欄 (Customer Authorization Signature) | 深圳市興華鑫電子科技有限公司 承認欄 (Supplier Audit) | | |
| | 審核 | 檢查 | 制作 |
| | 唐国兴 |  唐海兵 | 王前进 |
| | 日期: | 2026 年 01 月 14 日 | |
| | 版次: | A | |

声音让生活更精彩!

地址: 深圳市宝安区新安街道新乐社区新乐路 88 号厂房四层

TEL: 0755-27892904 13652428659

QQ: 438730351 2993501458

E-mail: jacky.tang@jsxhxdz.com

Http: www.jsxhxdz.com

深圳市兴华鑫电子科技有限公司

| | | | | | |
|-----------|---------------------------|------|------------|----------|-------|
| Model No. | XHXDZ-4330BOX-1.25-L160MM | Date | 2026-01-14 | Page No. | 1 / 6 |
|-----------|---------------------------|------|------------|----------|-------|

產品規格內容 (SPECIFICATION)

1. 使用範圍 (Scope)

此份規格書是針對多媒體產品內，所使用的微型揚聲器單體所提出的報告。

This specification covers our product of miniature speaker unit for multimedia product.

2. 标准测试条件 (Test condition)

一般规格试验状态 (特殊要求除外): 常温 5~35℃, 常湿 45%~85%, 气压 860~1060hPa.

判定上有疑问时, 试验状态为: 温度 20±2℃, 相对湿度 60%~70%, 气压 860~1060 hPa.

The test conditions unless otherwise specified should be normal temperature 5 to 35 °C, Normal humidity 45 to 85% and normal atmospheric pressure 860 to 1060 hPa, However, if there arises a doubt in judgment, the test conditions shall be as follows:

Temperature 20±2℃

Humidity 60%~70%

Atmosphere 860~1060 hPa

3. 電聲特性 (ELECTRO-ACOUSTIC CHARACTERISTICS)

3.1 額定阻抗 (Rated Impedance):

8.0Ω ± 20% (AT 1.6K Hz, 1.0 Vrms)

3.2 額定輸入功率 (Rated Input Power)

2.0 Watt (At 4.0 Vrms white noise 96 Hours)

3.3 最大輸入功率 (Max. Input Power)

2.5Watt

3.4 最低共振頻率 (Resonant Frequency)

950Hz ± 20%

3.5 輸出音壓 (Output S.P.L)

100± 3dB (0.1Watt, 0.1 Meter. Average at 0.8K, 1.0K, 1.5K, 2.0K Hz)

3.6 實效頻率範圍 (Frequency Range)

Fo ~ 20KHz (By Output S.P.L. -10dB)

3.7 失真率 (Distortion)

Less than 5% (At 1.6KHz, 0.89Vrms)

3.8 工作溫度 (Operating Temperature)

-25℃ ~ +65℃

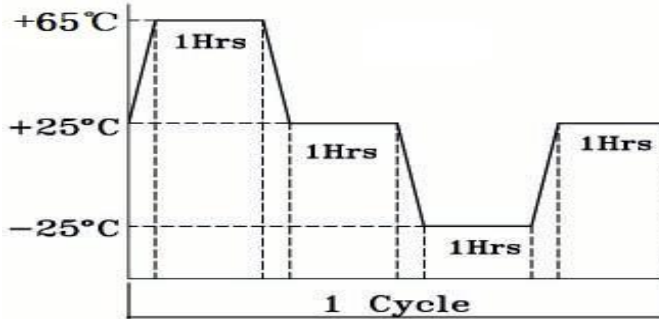
3.9 儲存溫度 (Storage temperature)

-25℃ ~ +65℃

| | | | |
|-----|-----|-----|---------|
| 制 定 | 审 核 | 核 准 | 文 件 编 号 |
| 王前进 | 唐海兵 | 唐国兴 | |

4. 可靠性測試 (Reliability Test)

4.1 高低溫差循環測試(Temperature Cycling Test)



| | |
|----------|---|
| A | Low Temperature (-25°C±3°C) |
| B | High Temperature (+65°C±3°C) |
| C | Number of Cycle (3 Cycles) |
| D | Duration of Exposure 1 Hours, at Each Temperature Extremes |
| E | Duration of Recovery 1 Hours |

4.2 抗濕度試驗(Humidity Test)

| | | |
|----------|-----------------------------|-------------------------------|
| A | 相對濕度(Relative Humidity) | 90-95% at + 40°C ± 3°C |
| B | 測試時間(Durations) | 96 Hours |
| C | 恢覆時間(Durations of recovery) | 6 Hours |

4.3 連續負載測試(Load Test)

White Noise Without Weighted Filter 4.0 Volts.(RMS) 96 Hrs.

4.4 跌落試驗(Drop Test)

75 cm Free Falling On Concrete Floor, 10 Times.

4.5 異常音測試(Buzzes & Rattles)

Sine wave between at 3.0Vrms / 200~5000Hz

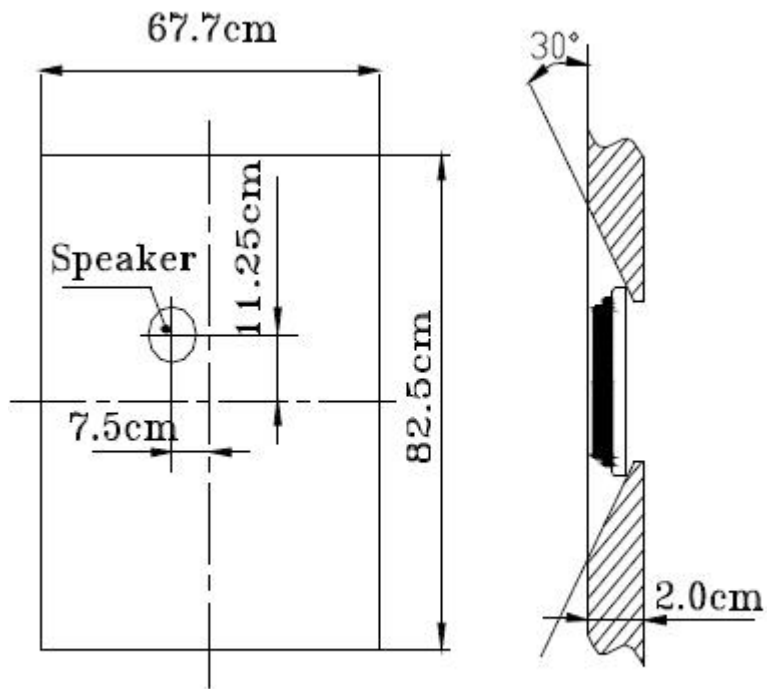
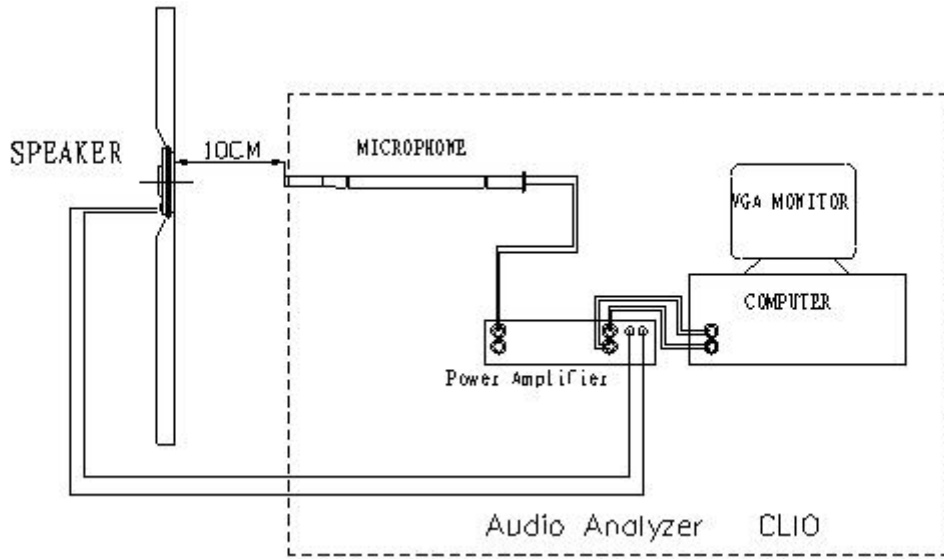
4.6 極性測試(Polarity test)

Diaphragm Shall Move Forward When Apply a Positive DC. Current to the “+”or “Marked” Terminal.

產品規格內容 (SPECIFICATION)

| | | | | | |
|-----------|---------------------------|------|------------|----------|-------|
| Model No. | XHXDZ-4330BOX-1.25-L160MM | Date | 2026-01-14 | Page No. | 3 / 6 |
|-----------|---------------------------|------|------------|----------|-------|

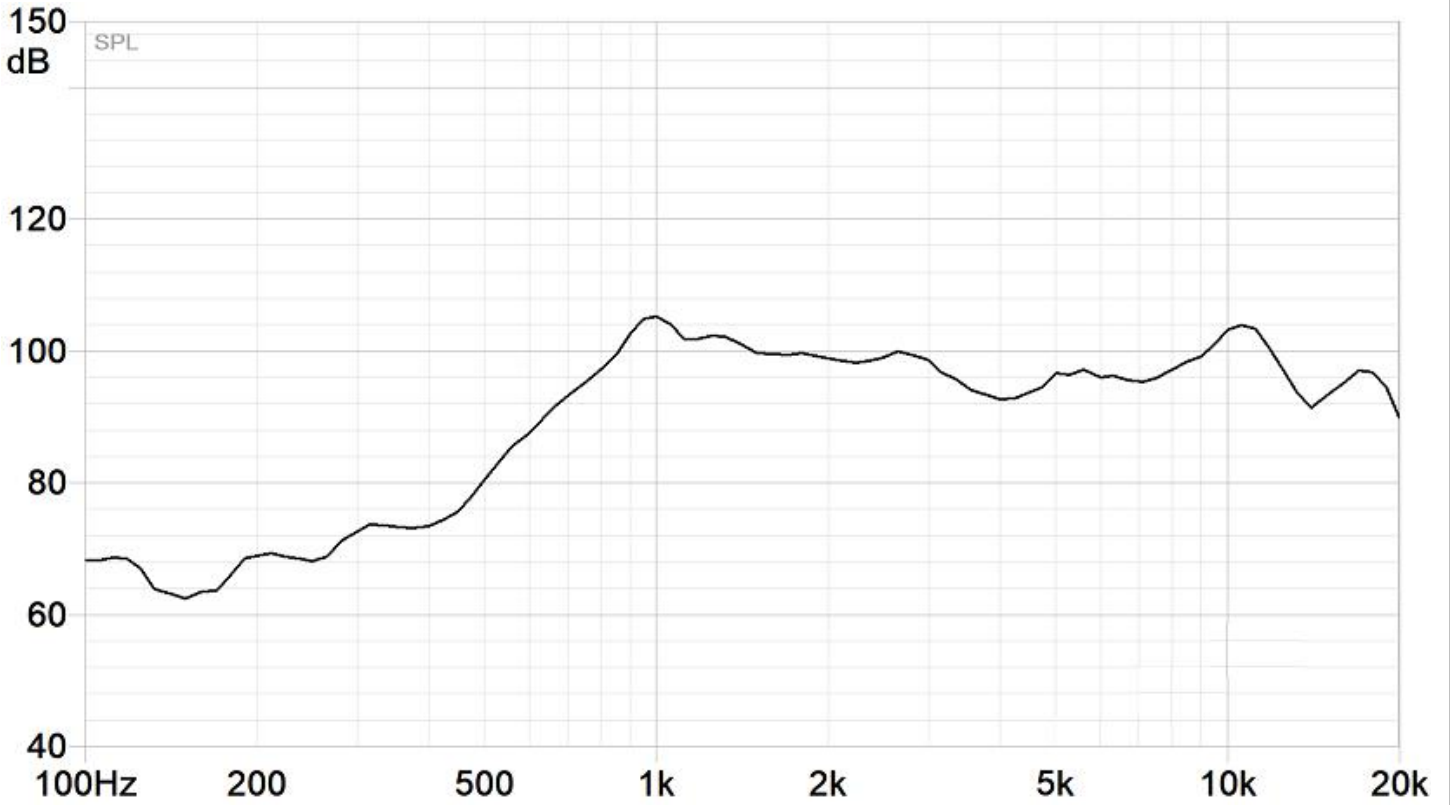
5.測量方式 (Measurement Method)



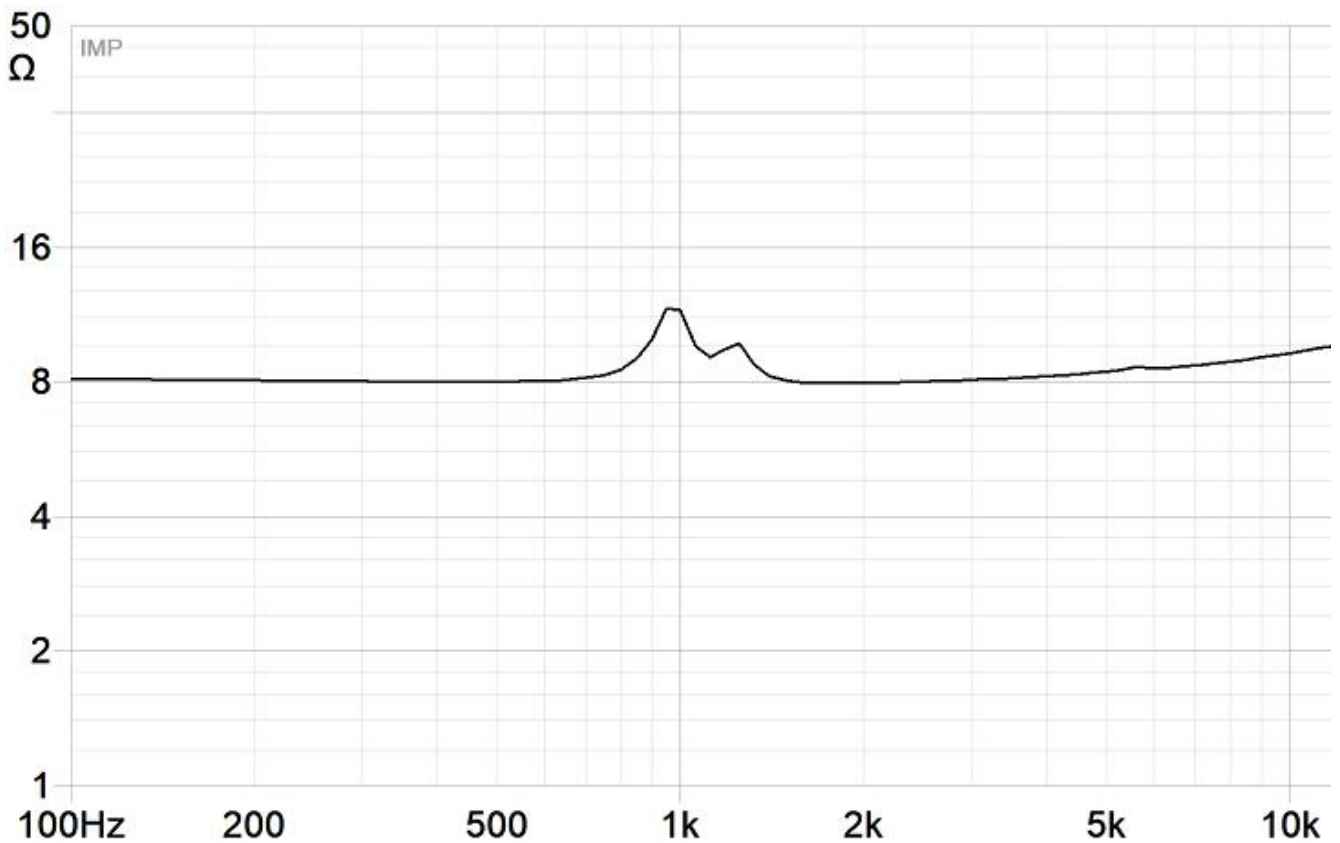
產品規格內容 (SPECIFICATION)

| | | | | | |
|-----------|---------------------------|------|------------|----------|-----|
| Model No. | XHXDZ-4330BOX-1.25-L160MM | Date | 2026-01-14 | Page No. | 4/6 |
|-----------|---------------------------|------|------------|----------|-----|

6. 頻率響應曲線圖(Frequency Response Curve)



7. 阻抗曲線圖(Impedance Curve)

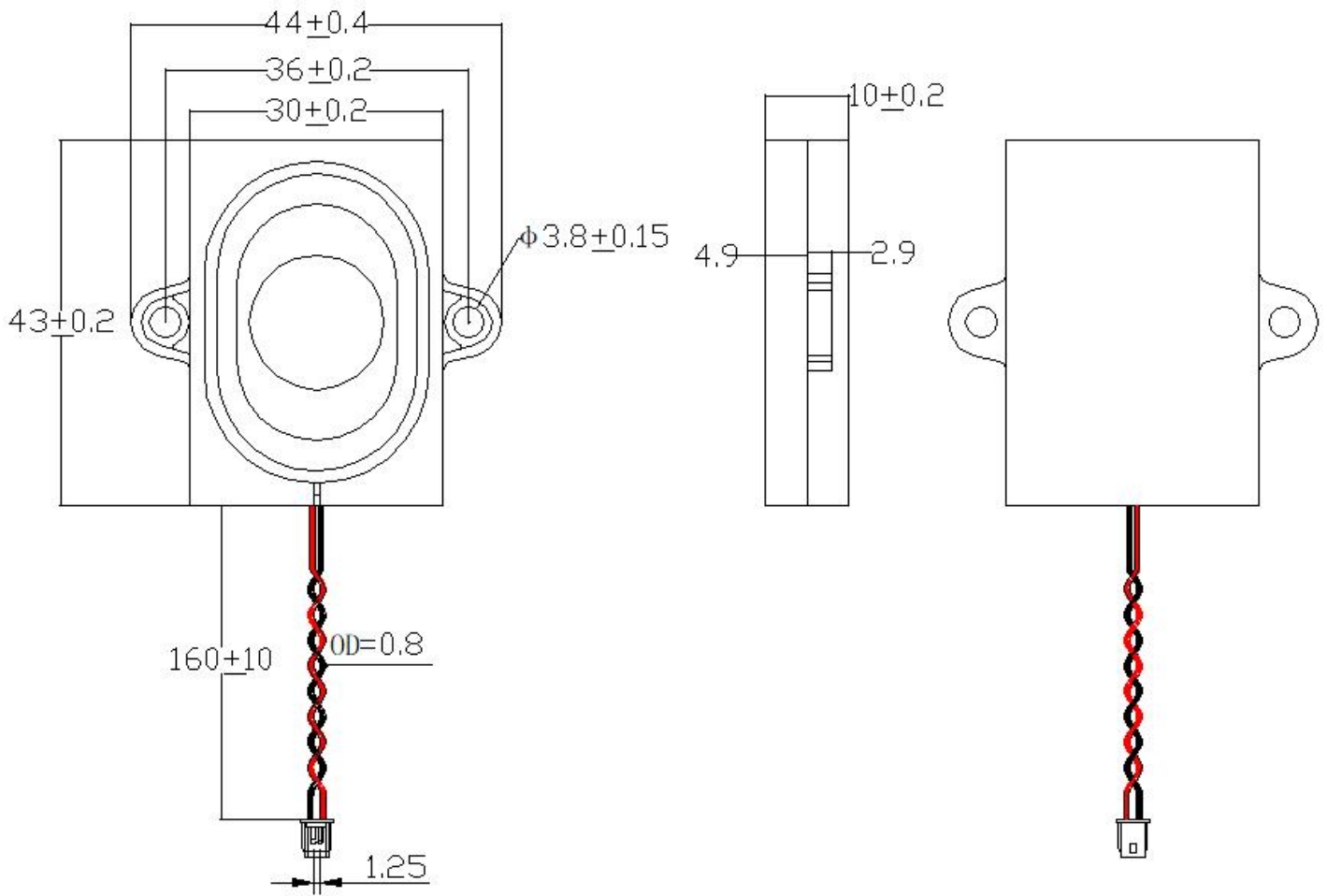


產品規格內容 (SPECIFICATION)

| | | | | | |
|-----------|---------------------------|------|------------|----------|-------|
| Model No. | XHXDZ-4330BOX-1.25-L160MM | Date | 2026-01-14 | Page No. | 5 / 6 |
|-----------|---------------------------|------|------------|----------|-------|

8. 喇叭外觀描述

(Unit:mm tolerance:±0.3)



產品規格內容 (SPECIFICATION)

| | | | | | |
|-----------|---------------------------|------|------------|----------|-----|
| Model No. | XHXDZ-4330BOX-1.25-L160MM | Date | 2026-01-14 | Page No. | 6/6 |
|-----------|---------------------------|------|------------|----------|-----|

10. 包裝示意圖(Packing Standard):

(Unit:cm tolerance:±3)

PACKING STANDARD:

